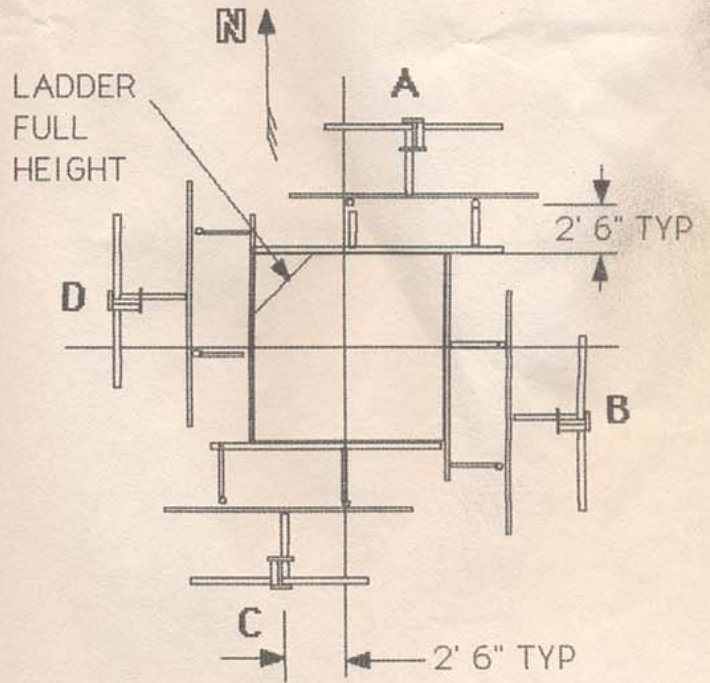
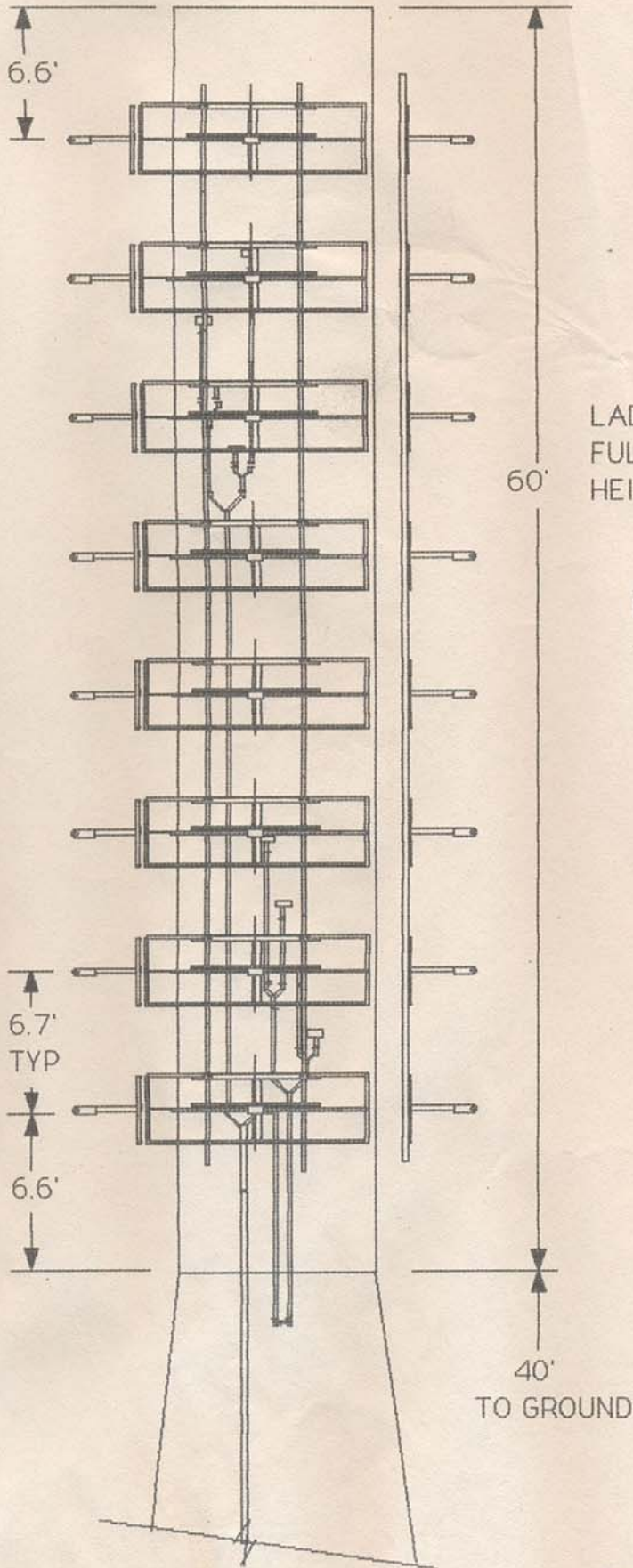


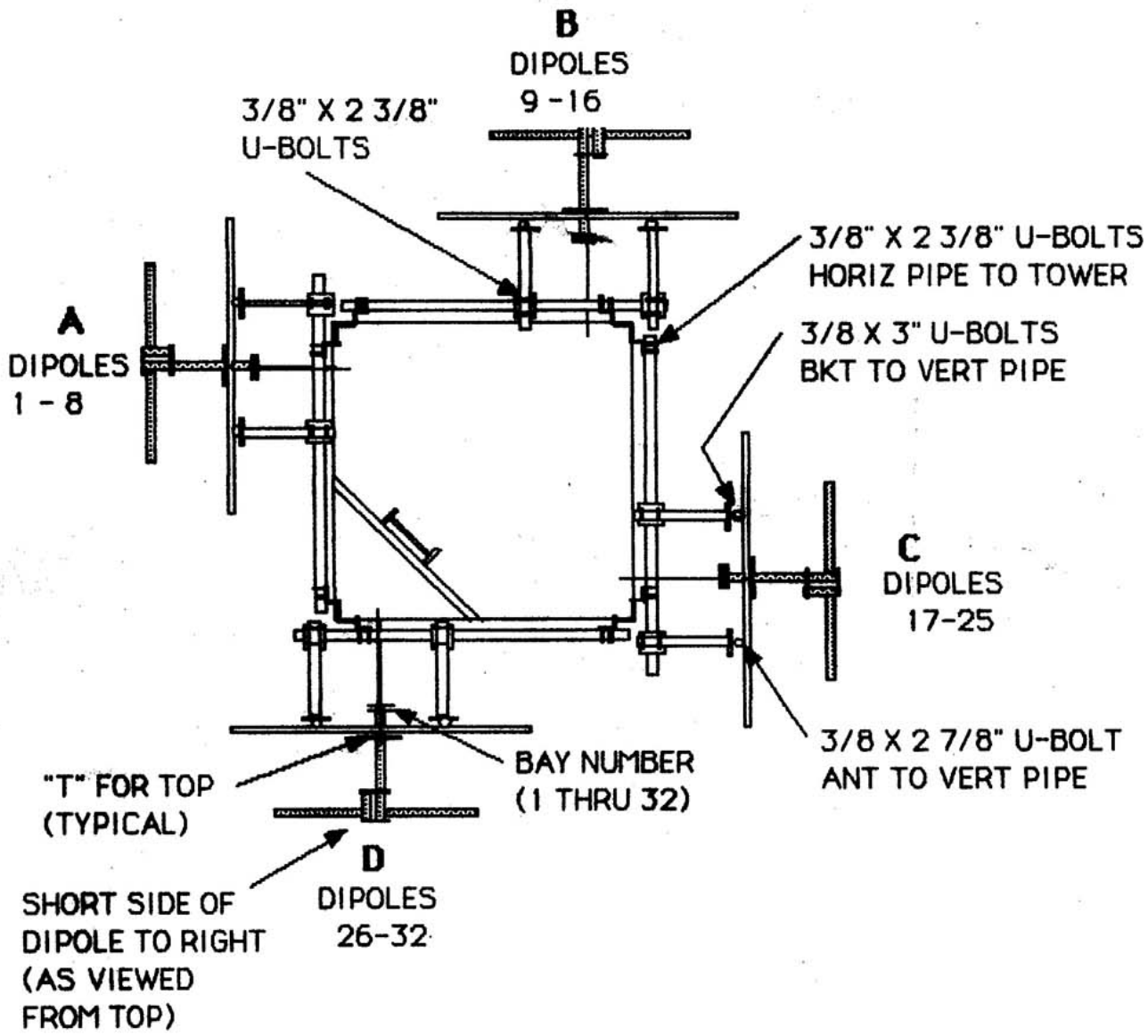


6939 Power Inn Road, P.O. Box 28425, Sacramento, CA 95828 (916) 383-1177 Fax (916) 383-1182



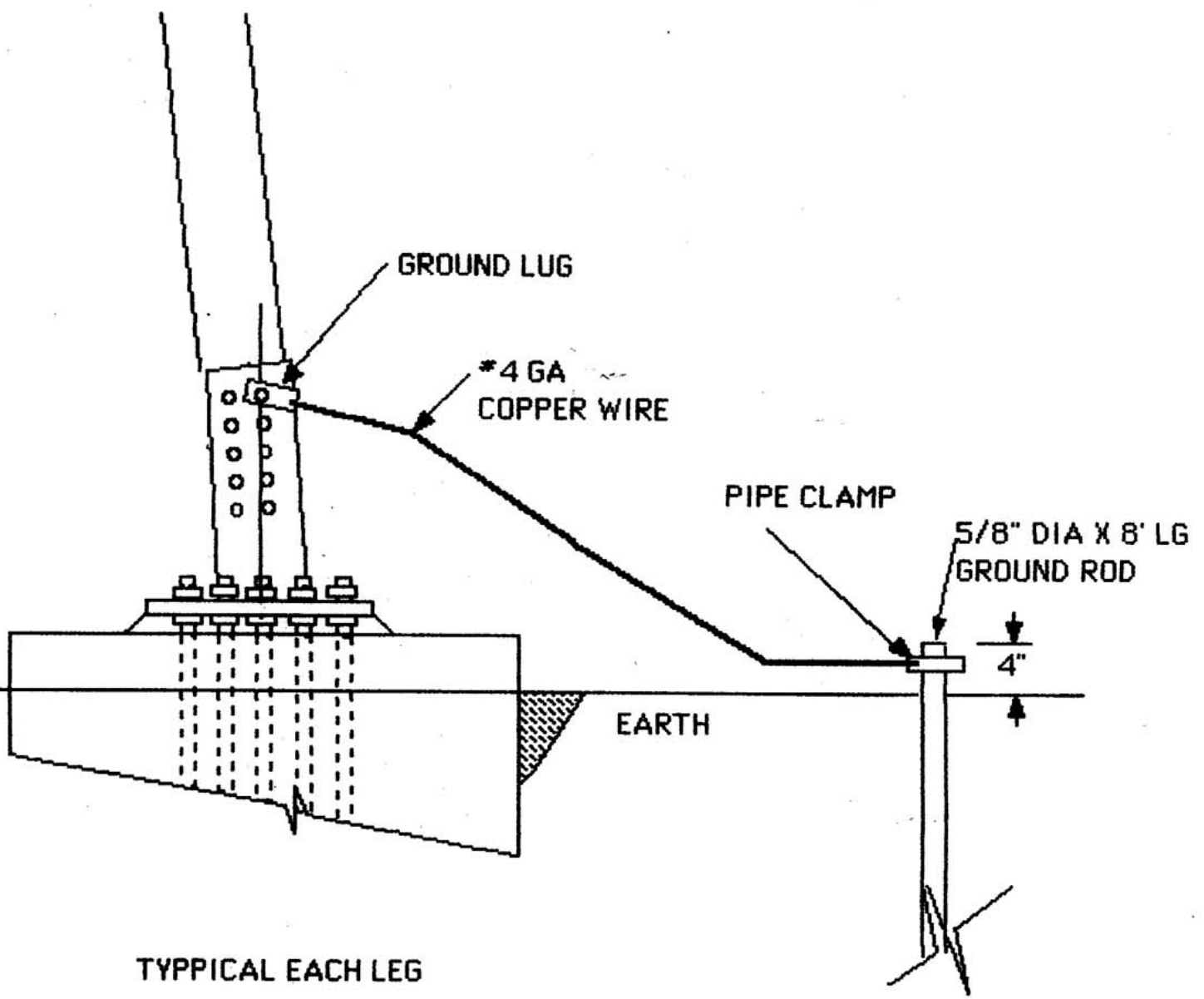
JHD-5/32
SCALE 1/8" = 1' 0"

REV "B" 4/28/92



TOP - VIEW
MTG BRACKETS

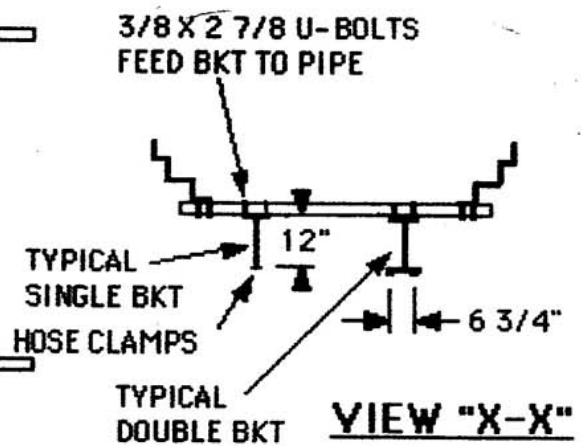
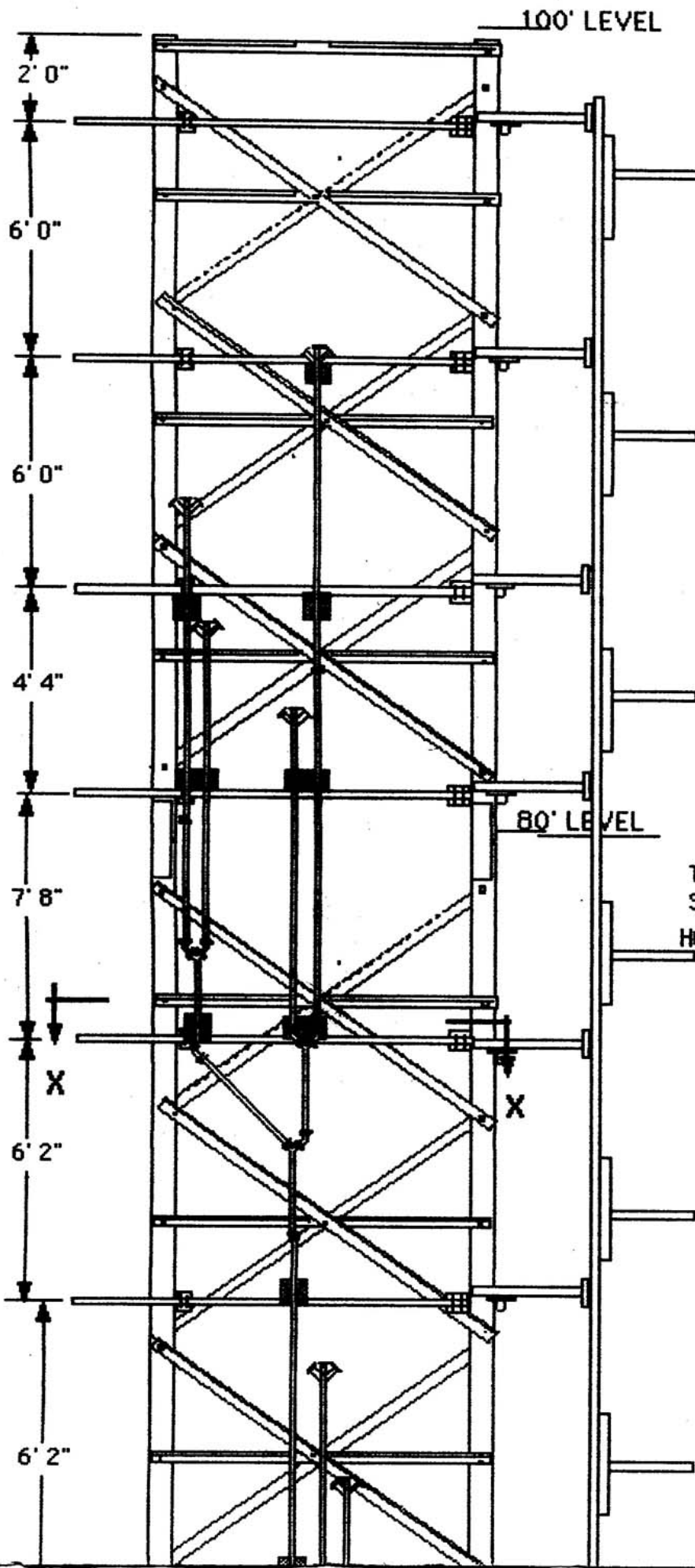
SCALE 1/4" = 1' 0"

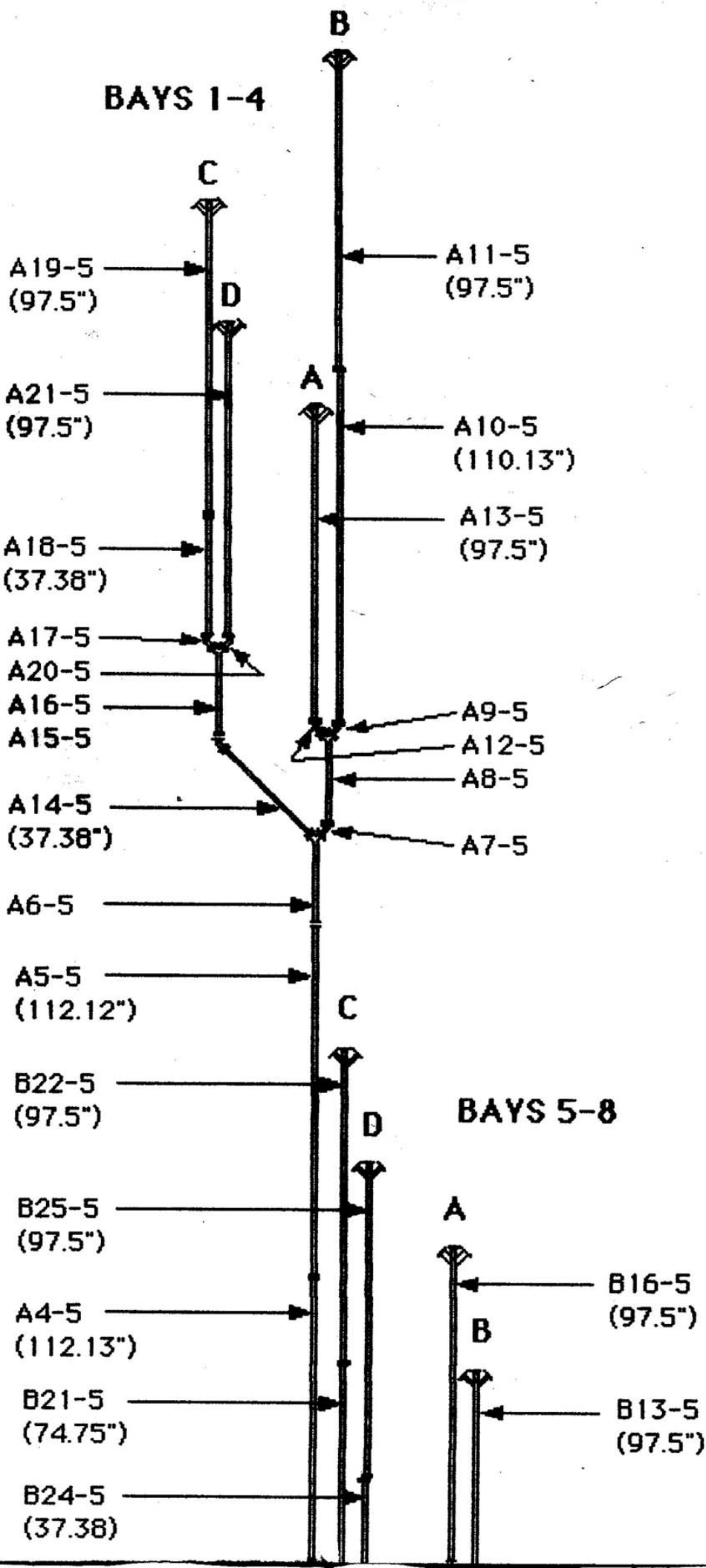


TYPICAL EACH LEG

TOWER GROUND SYSTEM

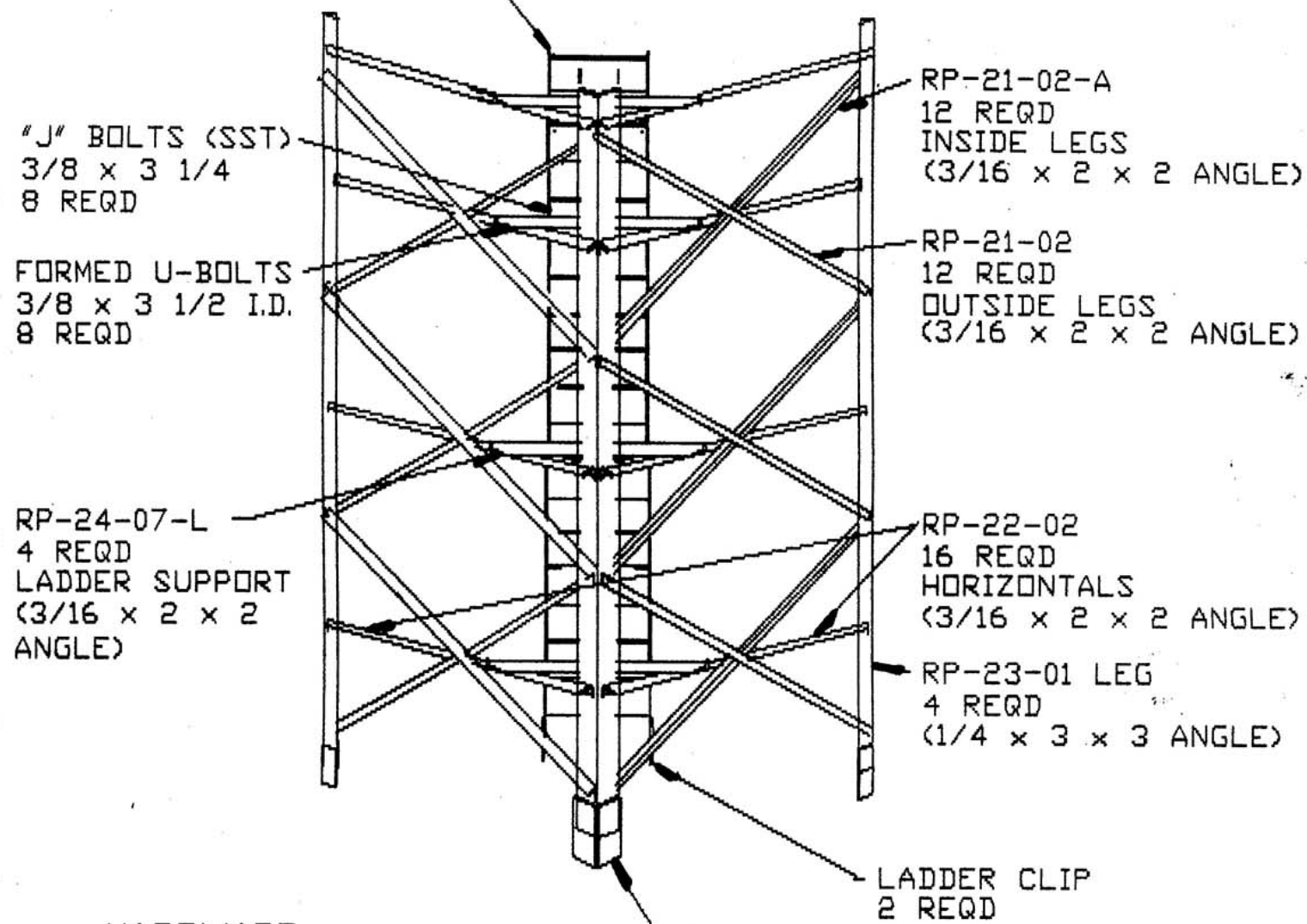
SCALE NONE





BACK SECTIONS NOT SHOWN
FOR CLARITY

RP-19-01 LADDER



"J" BOLTS (SST)
3/8 x 3 1/4
8 REQD

FORMED U-BOLTS
3/8 x 3 1/2 I.D.
8 REQD

RP-24-07-L
4 REQD
LADDER SUPPORT
(3/16 x 2 x 2
ANGLE)

RP-21-02-A
12 REQD
INSIDE LEGS
(3/16 x 2 x 2 ANGLE)

RP-21-02
12 REQD
OUTSIDE LEGS
(3/16 x 2 x 2 ANGLE)

RP-22-02
16 REQD
HORIZONTALS
(3/16 x 2 x 2 ANGLE)

RP-23-01 LEG
4 REQD
(1/4 x 3 x 3 ANGLE)

LADDER CLIP
2 REQD

RP-12-01
SPLICE PLATE
(3/8 x 3 1/2 x 18)
8 REQD

HARDWARE:
(12) 5/8 x 1 1/2 lg
@ CTR OF DIAGONALS

(56) 3/4 x 1 1/2 lg
@ BRACES

(64) 3/4 x 2 lg
@ SPLICES

(8) 1/2 x 1 1/2 (sst)
@ LADDER SPLICE

SECTION #5

BACK SECTIONS NOT SHOWN
FOR CLARITY

RP-21-03A (INSIDE)
3/16 x 2 1/2 ANGLE
4 REQD

RP-21-03 OUTSIDE
3/16 x 2 1/2 ANGLE
4 REQD

RP-22-03L
3/16 x 2 1/2 ANGLE
2 REQD

RP-22-03
1/4 x 2 1/2 FLAT
6 REQD

RP-19-01
LADDER

RP-24-06-L
3/8 x 2 1/2
ANGLE

RP-22-04
1/4 x 2 1/2 FLA
6 REQD

RP-22-04L
2 REQD

RP-21-04
OUTSIDE
3/16 x 2 1/2
ANGLE
4 REQD

RP-24-05-L
3/8 x 2 1/2
ANGLE

RP-22-05
1/4 x 2 1/2
FLAT BAR
6 REQD

RP-21-05A
INSIDE
3/16 x 2 1/2
ANGLE
4 REQD

RP-24-04-L
3/8 x 2 1/2
ANGLE

RP-21-04A INSIDE
3/16 x 2 1/2 ANGLE
4 REQD

RP-21-05
OUTSIDE
3/16 x 2 1/2 ANGLE
4 REQD

RP-22-05L
3/16 x 2 1/2 ANGLE
2 REQD

LADDER CLIP
2 REQD

RP-13-XX
SPLICE PLATE
1/2 x 6 x 18
8 REQD

RP-20-01 LEG
1/2 x 5 ANGLE
4 REQD

HARDWARE:
(12) 5/8 x 1 1/2 lg
@ CTR OF DIAGONALS

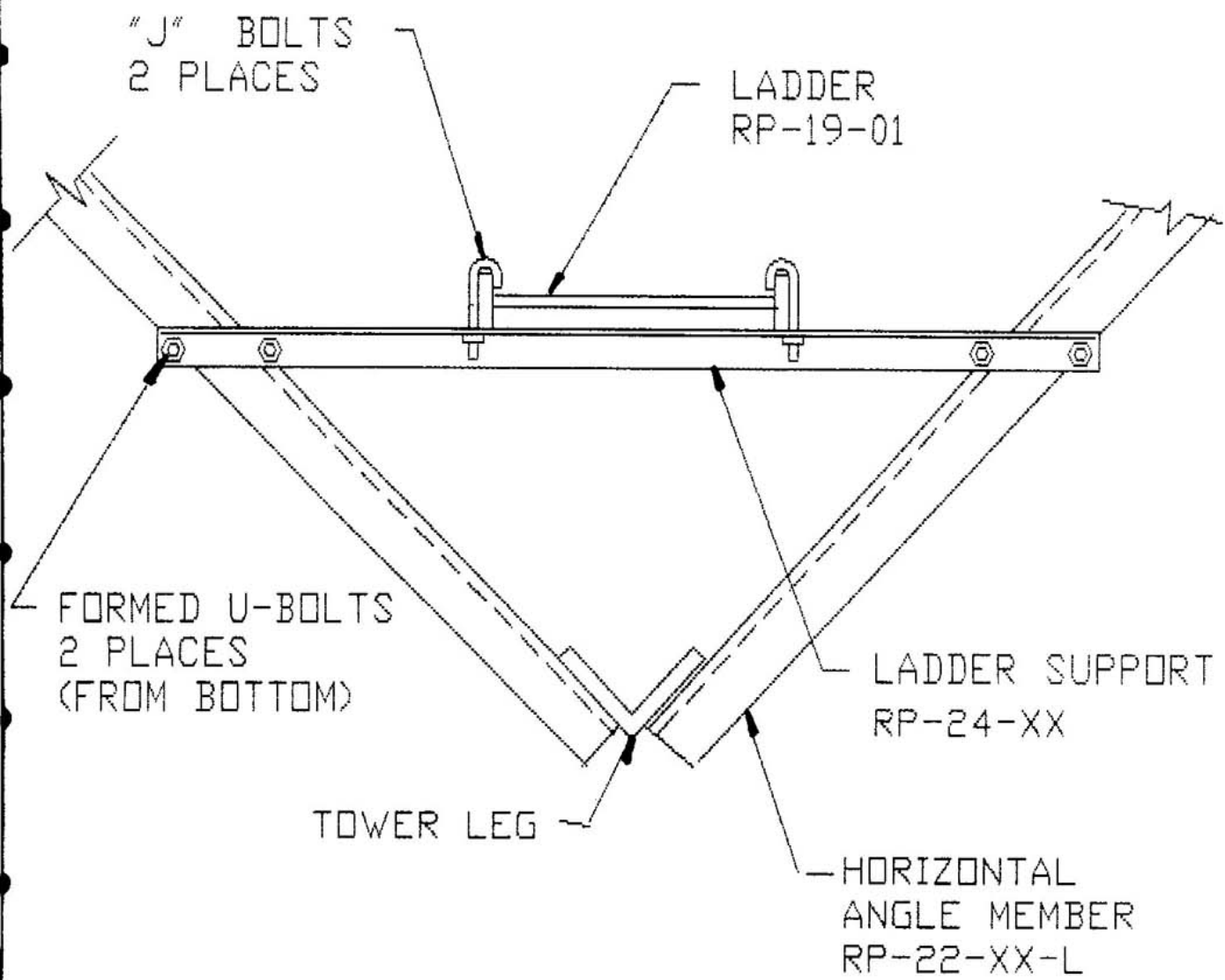
(56) 3/4 x 1 1/2 lg
@ BRACES

(128) 3/4 x 2 lg
@ SPLICES

(8) 1/2 x 1 1/2 (sst)
@ LADDER SPLICES

SECTION #2

REV "A" 4/28/92



LADDER MOUNTING DETAIL